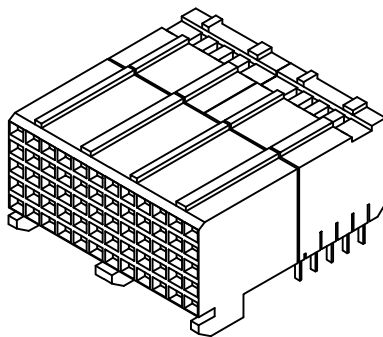
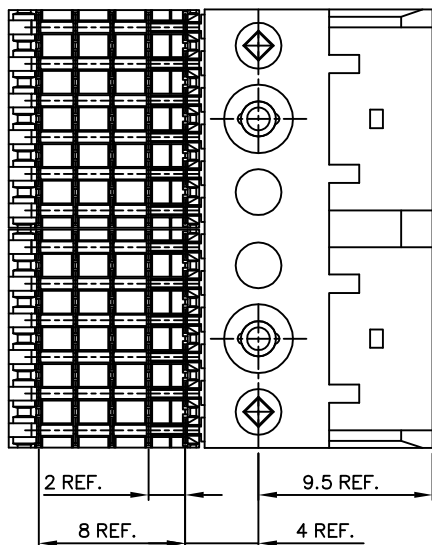
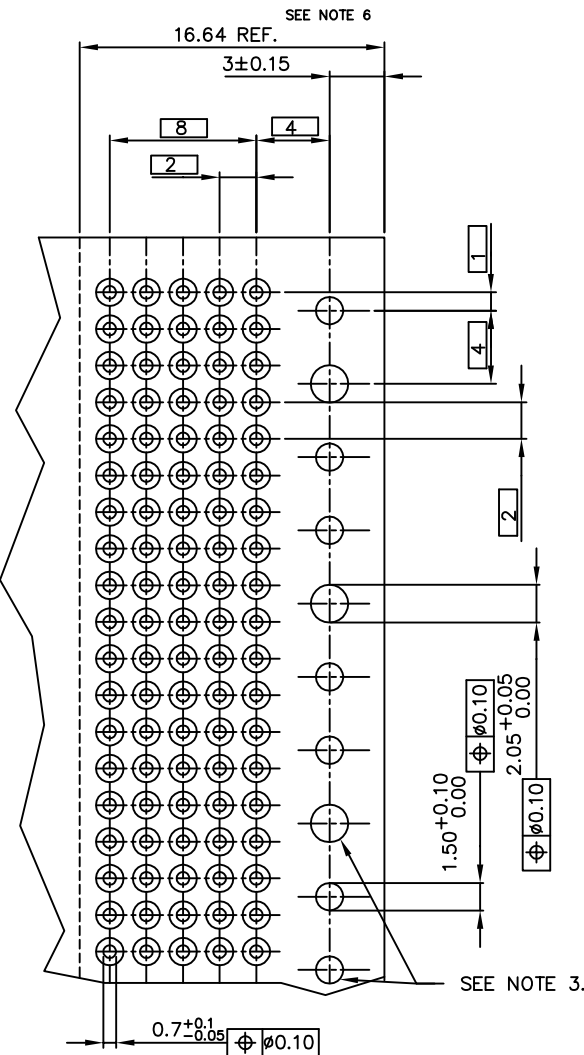
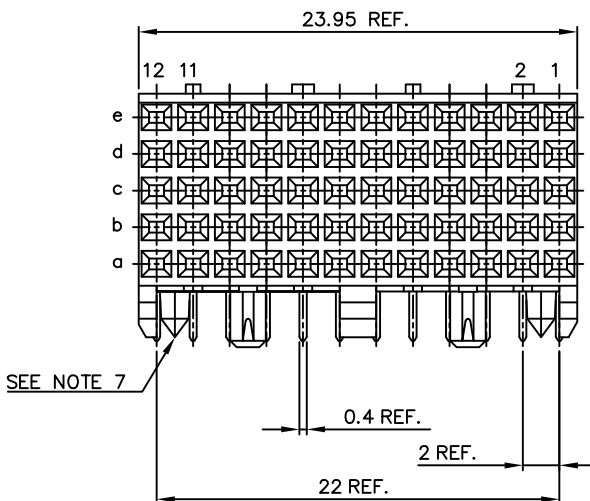
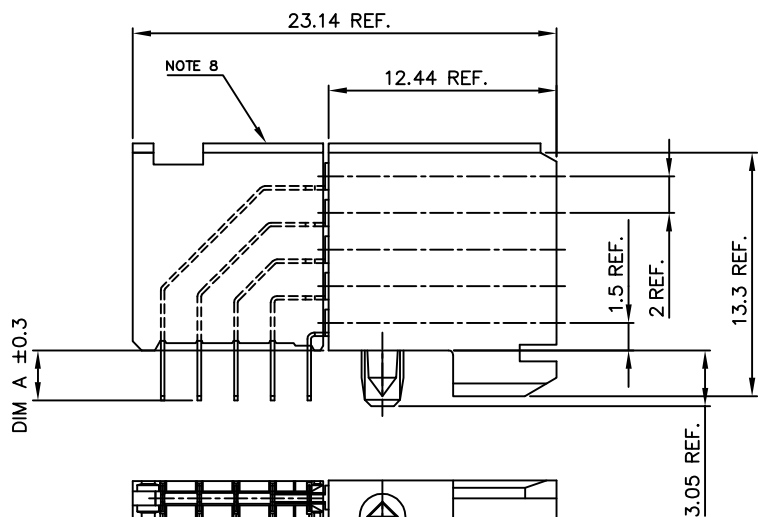


PLATING CONTACT AREA:	
DASH NR:	PERFORMANCE LEVEL:
-1YY/1YYLF	TELCORDIA CO
-2YY/2YYLF	CUSTOMER SPECIAL
-3YY/3YYLF	CUSTOMER SPECIAL
-9YY/9YYLF	TELCORDIA CO

PC BOARD VERSIONS		
PRODUCT NR:	PCB THICKNESS	DIM A
85864-X02	1.6	2.90
85864-X12	2.4	3.53



NOTES:

- BODY MAT'L: LIQUID CRYSTAL POLYMER 30% GLASS FLAME RETARDANT ACC. UL 94-V0
- TERMINAL MATERIAL: PHOSPHOR BRONZE.
- INDICATED HOLES ARE UNPLATED.
- PLATING OF SOLDER TAILS 2-8 um SnPb 90-97 OR 2-8 um PURE Sn FOR LEAD FREE.
- PRODUCT MARKING: PART NUMBER & BATCH ID.
- SET BACK FOR TAIL BLOCK
- DIAMOND LOCATION PEG ARE ONLY EXISTED ON THE BOTH SIDES OF PRODUCT.
- TOP SURFACE OF PRESS BLOCK MAY EXTEND UP TO 0.4MM HIGHER THAN HOUSING. THIS MAY AFFECT THE TAIL LENGTH BEFORE APPLICATION TO A BOARD.
- THIS PRODUCT MEETS EUROPEAN UNION DIRECTIVES AND OTHER COUNTRY REGULATIONS AS DESCRIBED IN GS-22-008.
- THE HOUSING WILL WITHSTAND EXPOSURE TO 260DEGREE PEAK TEMPERATURE FOR 10 SECONDS IN A WAVE SOLDER APPLICATION.

RECOMMENDED HOLE PATTERN, COMPONENT SIDE.

PC BOARD THICKNESS  $\approx$  0.2 (SEE TABLE)

mat'l. code		tolerances unless otherwise specified		CUSTOMER COPY		FCI ELECTRONICS	
SEE NOTES				projection		www.falconconnect.com	
ltr	ecn	no	dr date	linear		title	
B	V91453	DOB	990902			5 ROW R.A. S.T.B. SIGNAL RECEPT. 24mm MOD.P.P.	
C	V00578	LLA	000316	angles		product family	METRAL (tm)
D	V00850	GNY	000512	dr	R. VISSCHERS	941005	code
E	pc04-010	CLU	041223	engr	E. FEIJEN	941005	size
F	pc07-016	Cent	05/15/07	chr	E. FEIJEN	941005	scale
G	pc08-017	TER	8/15/08	app	E. FEIJEN	941005	5:1
sheet	revision	G				A2	85864
index	sheet	1					213
							sheet 1 of 1